

NPN

New Product News



MULTILTURN

SAFE TURNING

VBMX Insert and Holders with Rigid Clamping



KEY POINT

TaeguTec has introduced a new VBMX insert with increased rigidity holders for improved anti-rotating during operation.

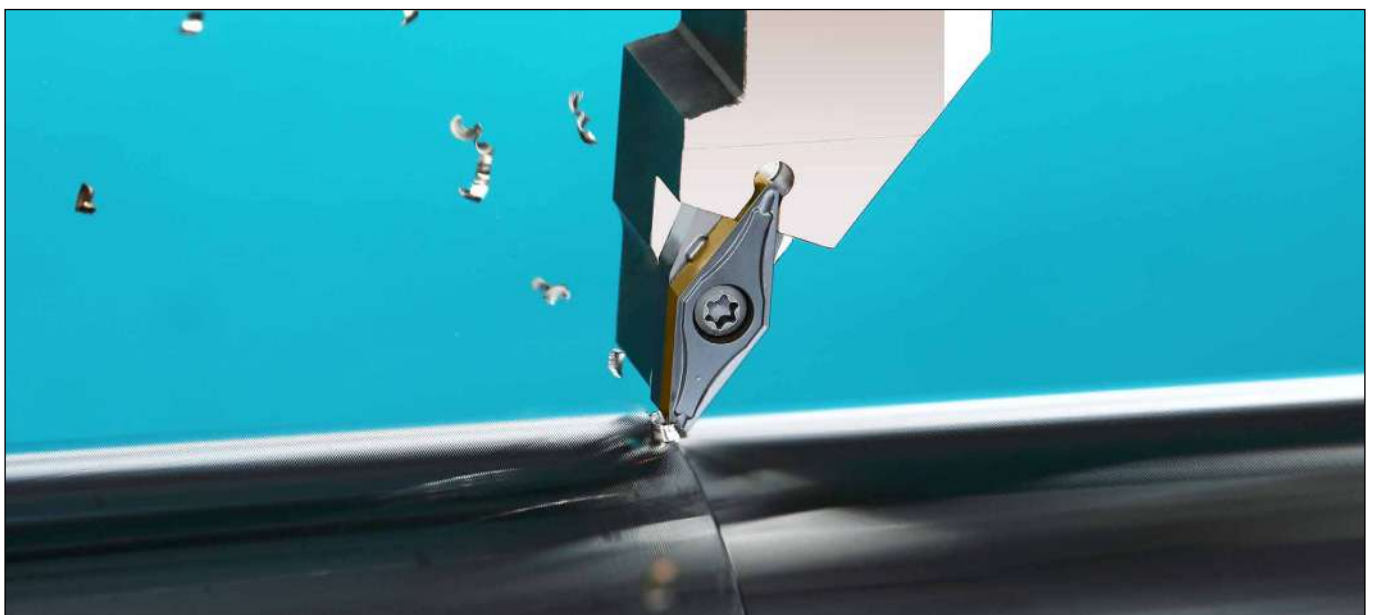
The MULTI-L-TURN insert's narrow corner angles mean the V-type insert is capable of various profiling operations. However, the clearance angle between the pressed type insert and the pocket causes the insert to rotate during machining, resulting in dimensional displacement. To reduce dimensional displacement, TaeguTec has released an all new VBMX V-type positive insert and dedicated holders that reduce dimensional displacement caused by the pressed type insert's rotation.

The new VBMX insert and dedicated holders provide stable tool life, excellent machining performance, and precise machining dimensions based on a rigid clamping design. The insert's bottom face includes a groove that firmly seats it on a specially shaped shim, while the back end of the insert contacts to a specially designed pocket.

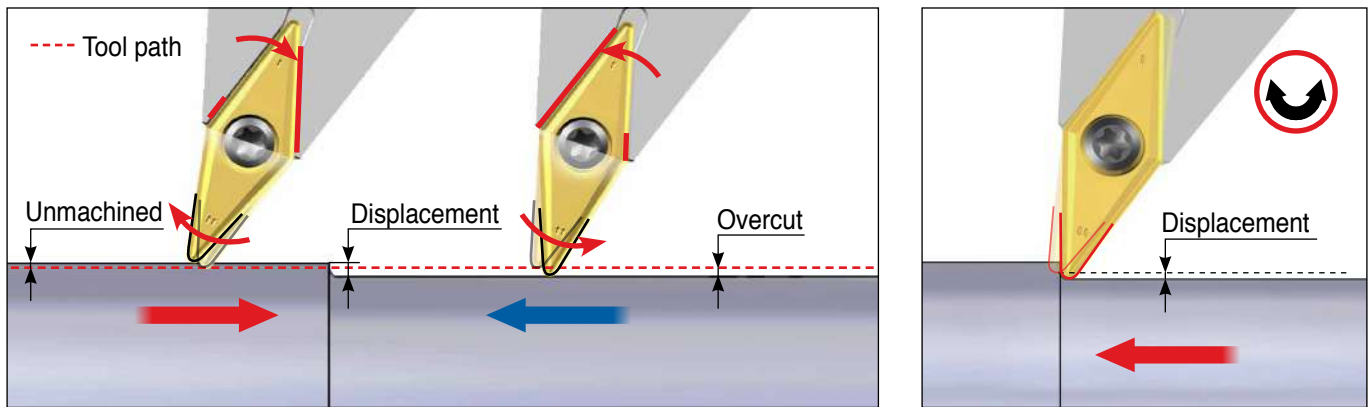
As the VBMX insert shares the same outline design as the ISO-V type insert, it is also compatible with ISO holders. Please note that to obtain precise machining dimensions, the dedicated holder must be used.

Features

- Unique and powerful clamping design that minimizes insert rotation
- Excellent surface finish and precise machining dimensions, suitable for finishing
- Stable tool life and excellent machining performance
- Compatible with standard ISO holders

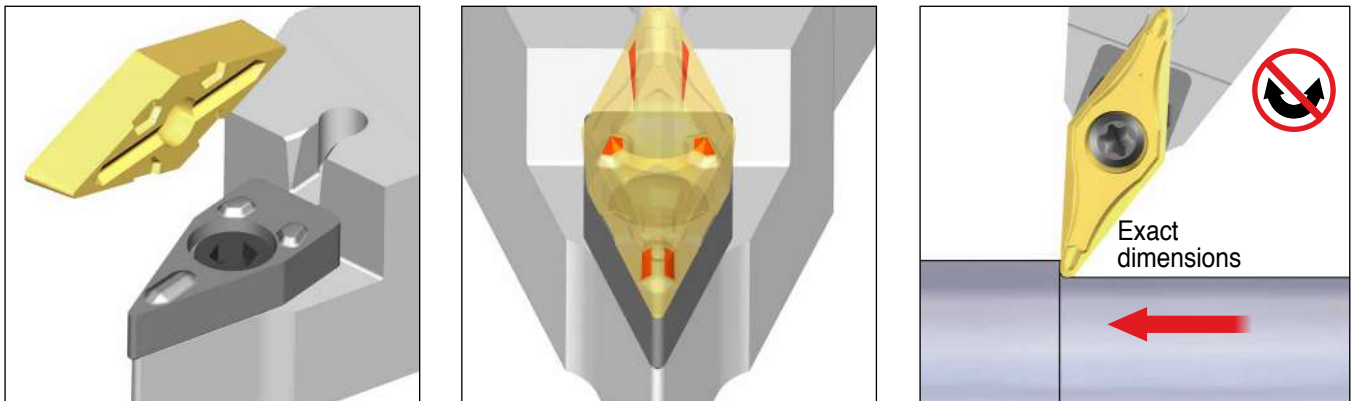


Displacement along the machining direction of conventional ISO inserts

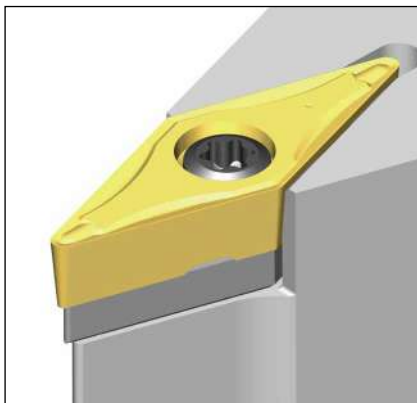


Unique and powerful clamping design

- Insert's bottom face groove seats to a special shim and the back end fits into a specially designed pocket

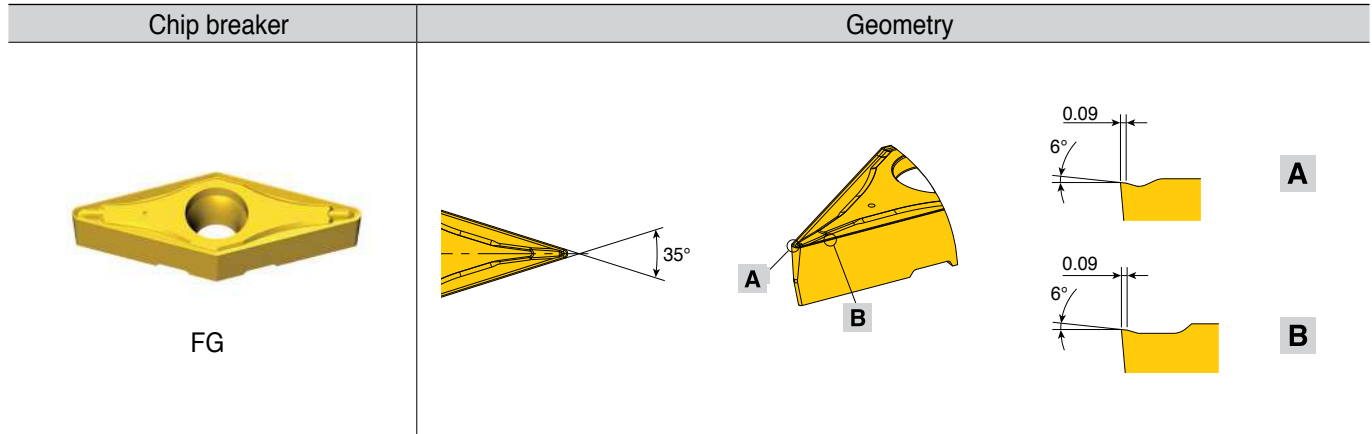


Compatible with standard ISO holders

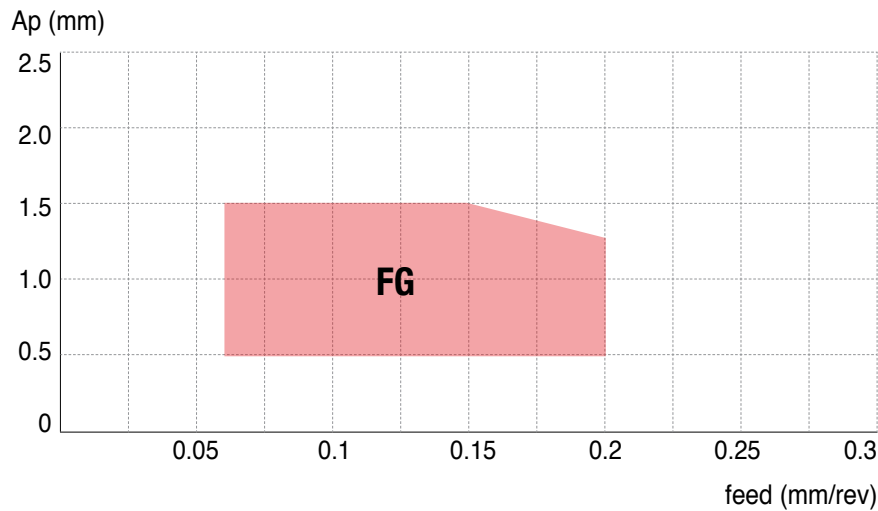


VBMX FG insert geometry

- Same cutting edge as VBMT FG



VBMX FG cutting conditions



- ▶ Insert: VBMX 160404 FG TT8115B
- ▶ Holder: LVJBR 2020 K16
- ▶ Cutting speed (V): 200 m/min
- ▶ Workpiece: SCM 440 (HB230-260)

Availability

In stock

Price

Available in the GAL system

Sincerely,
TaeguTec



Bae Dae-wi

Non-Rotating
Adviser

ADVANCECUTTING
TaeguTec

Sincerely,
TaeguTec



Ok Soo-jin

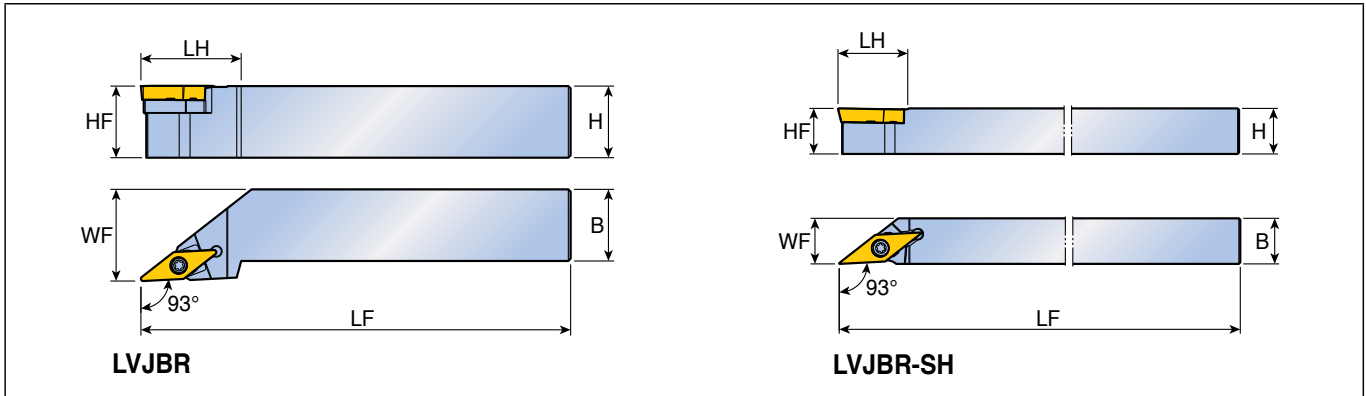
Turning
Product Manager

T TaeguTec
Member IMC Group



LVJBR/L LVJBR-SH

Screw type holders



Approach angle	Designation	Dimension (mm)						Insert
		H	HF	B	LF	LH	WF	
93°	LVJBR/L 2020 K16	20	20	20	125	35	25	VBMX 1604...
	2525 M16	25	25	25	150	35	32	
93°	LVJBR 1616 K16-SH	16	16	16	125	24.5	16	

Spare parts

Designation	Screw	Shim	Shim screw	Wrench			
LVJBR/L	SO 35124I	SSVX 32	TS 5035062S	L-W 3.5	T 15		
LVJBR-SH	SO 35080I	-	-	-	T 15		

