

# NPN

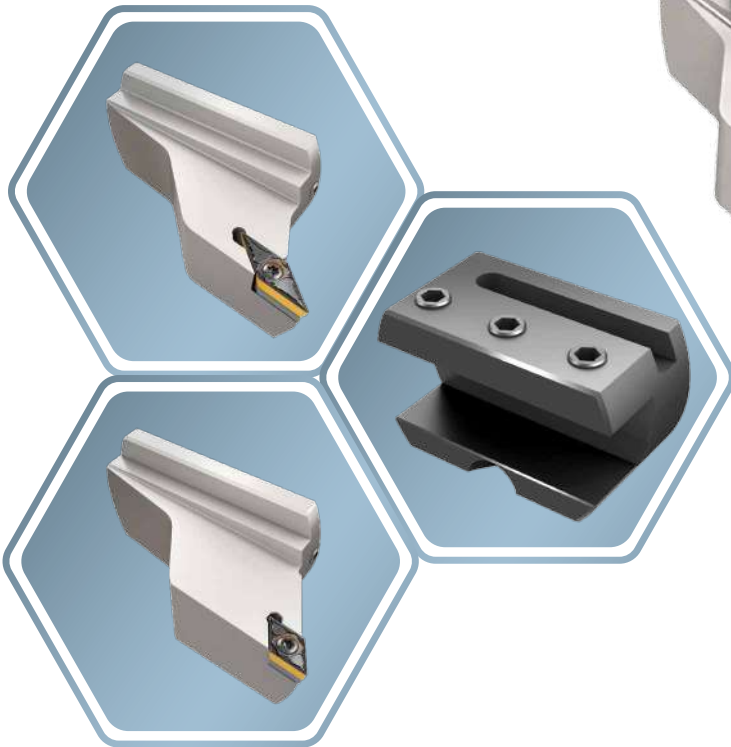
New Product News



## HUSHBORE

ANTI VIBRATION BAR

Ø80 Anti-vibration Boring Bars  
with Exchangeable Heads



## KEY POINT

### HUSHBORE line introduces Ø80 head exchangeable anti-vibration boring bars

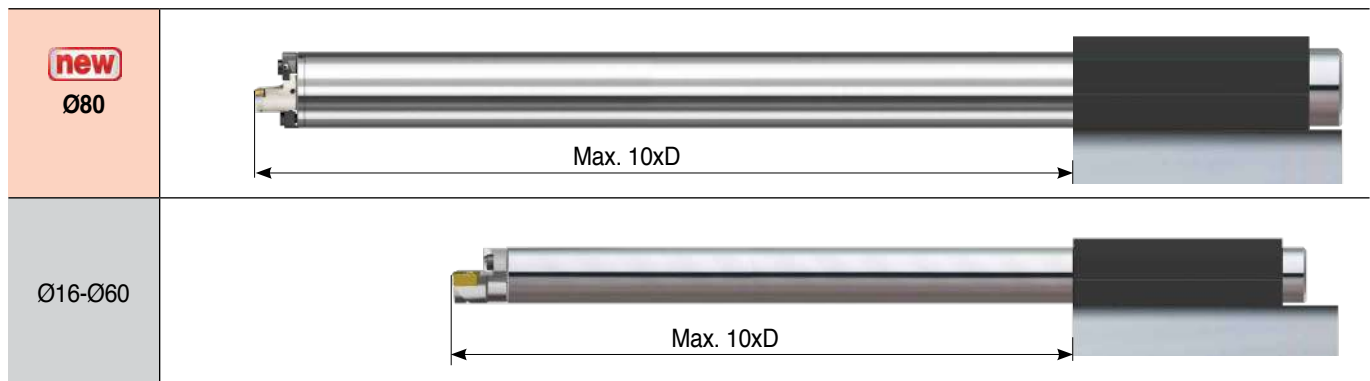
With a new Ø80 shank and a dedicated head introduced to the anti-vibration HUSH-BORE boring bar line specialized in deep internal machining, TaeguTec has expanded its reach in the deep internal machining market.

Available in two types: a modular head with standard inserts for machining various materials, and an adapter that can machine while fastened to a standard square holder, allowing for relatively large diameter internal machining.

#### Features

- Shanks include built-in vibration damping technology
  - Good surface roughness and improved tool life
- Stainless steel shank prevents corrosion
- Shank diameter: Ø80, length: 7xD, 10xD(available as standard items in 2 types)
- Available in various dedicated head types
- Dedicated Adapter use a 20x20 standard square holder
- Internal coolant type

#### HUSH-BORE Shank



## Head assembly instructions



❶ Loosen the screw.

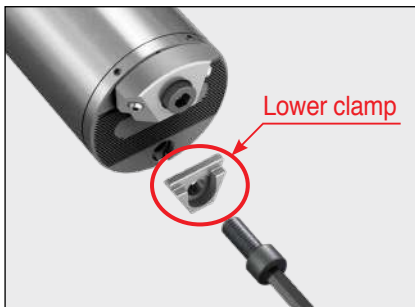


❷ Slide the head into the slot.



❸ Tighten the screw.

## Square holder assembly instructions



❶ Remove the lower clamp.



❷ After sliding the adapter into the boring bar, tighten the clamp screw.

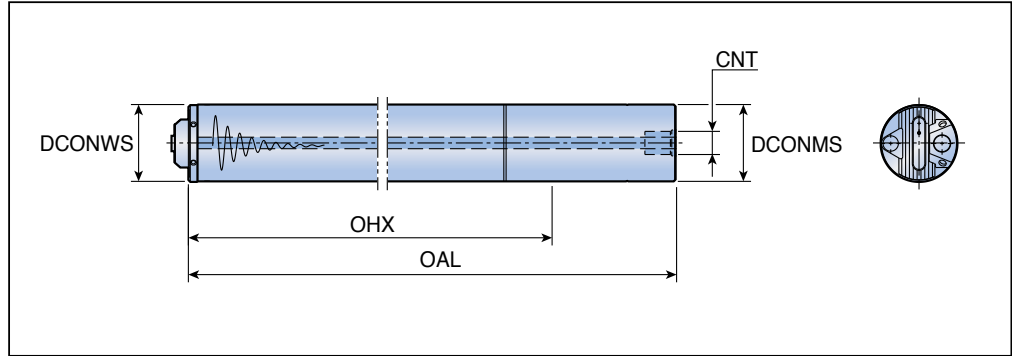


❸ Slide the square holder into the adapter and tighten the adapter screw.

**QS-VH**



**Anti-Vibration shanks for boring**



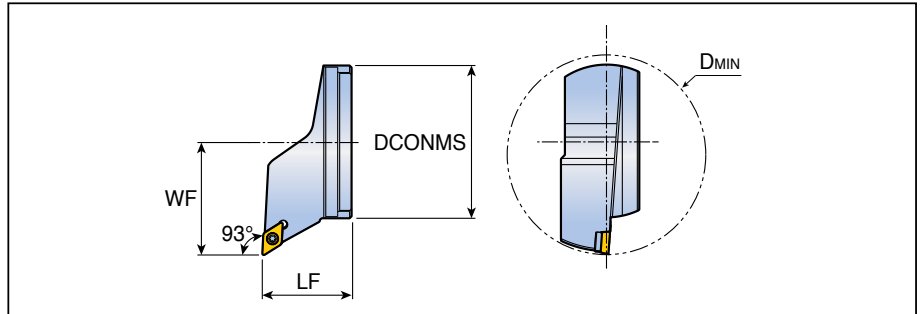
Designation	Dimension (mm)					Coolant hole
	DCONMS	DCONWS	OAL	OHX	CNT	
QS80A- 7D-VH	80	80	880	515	G 3/4"	•
10D-VH	80	80	1200	755	G 3/4"	•

► OHX: Maximum overhang

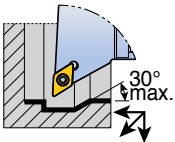
## QH-SDUCR/L-VH



### Screw type boring heads



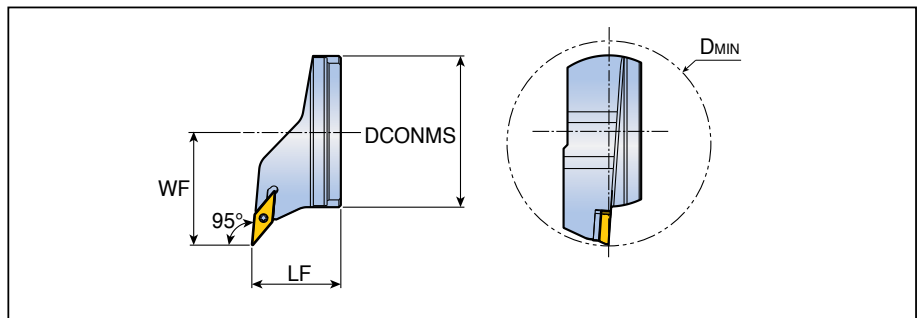
Approach angle	Designation	Dimension (mm)				Insert
		DCONMS	LF	WF	DMIN	
93°	<b>QH80- SDUCR/L-11-VH</b>	77	45	57	100	DC...T 11T3...



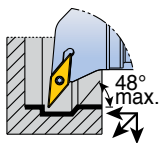
## QH-SVLCR/L-VH



### Screw type boring heads



Approach angle	Designation	Dimension (mm)				Insert
		DCONMS	LF	WF	DMIN	
95°	<b>QH80- SVLCR/L-16-VH</b>	77	45	57	100	VC...T 1604...



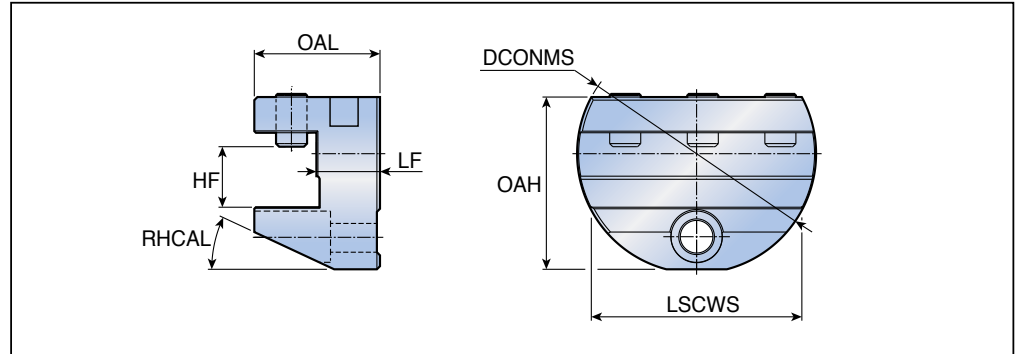
### Spare parts

Designation	Screw	Shim		Shim screw	Stopper screw	Wrench		
<b>SDUCR/L</b>	SR 16-236 P	TDC 3-1P	-	SR TC-3P	SH M3x0.5x6	T-15/5	L-W 4	L-W 2.5
<b>SVLCR/L...</b>	SR 16-236 P	-	TVC 3-1P	SR TC-3P	SH M3x0.5x6	T-15/5	L-W 4	L-W 2.5

## QH80-VH



Perpendicular adaptor for external square-shank tools



Designation	Dimension (mm)						
	DCONMS	LF	HF	OAL	OAH	LSCWS	RHCAL
<b>QH80- 2020-VH</b>	77.0	20.5	20.0	40.5	55.5	67.8	25.0

- ▶ Used with external 20x20 square holders
- ▶ Since there is a deviation in the D<sub>MIN</sub> value for each holder, it is recommended to use the boring head after checking for interference with the workpiece.

### Spare parts

Designation	Screw	Wrench			
<b>QH80</b>	SR M10x16 DIN913	L-W 5			