

NPN

New Product News



New ER SEAL AA JET Collet



KEY POINT

TaeguTec launches an ultra-precision ER SEAL AA JET collet featuring 4 cooling jets.

The ER SEAL AA JET collet is designed with low collapsibility (maximum collapse: 0.2 mm), the ER SEAL AA JET collet holds the tool shank accurately while guaranteeing excellent precision when the tool is mounted to the collet.

In addition, four cooling jets spray high-pressure coolant directly into the tool, maximizing the cooling effect.

With the launch of the ultra-precision ER SEAL AA JET collet, the ER SEAL JET2 collet will be discontinued after stock runs out. Refer to the tables on pages 3-5 for details.

For further information, please contact the product manager.

Features

- Maximum collapse 0.2 mm
- AA grade: Runout accuracy of 0.005 mm
- 4 cooling jets supply coolant directly to the tool
- 8-slot design: Increased rigidity and better clamping force
- Special coating for superior wear resistance and improved corrosion protection
- High surface finish to guarantee consistent repeatability and prolonged runout

ER SEAL AA JET Collet: Phase out – Phase in

Phase out	
Item No.	Designation
4650527	ER16 SEAL 3- 4 JET2
4650528	ER16 SEAL 4- 5 JET2
4650529	ER16 SEAL 5- 6 JET2
4650530	ER16 SEAL 6- 7 JET2
4650531	ER16 SEAL 7- 8 JET2
4650532	ER16 SEAL 8- 9 JET2
4650533	ER16 SEAL 9-10 JET2
4650534	ER20 SEAL 3- 4 JET2
4650535	ER20 SEAL 4- 5 JET2
4650536	ER20 SEAL 5- 6 JET2
4650537	ER20 SEAL 6- 7 JET2
4650538	ER20 SEAL 7- 8 JET2
4650539	ER20 SEAL 8- 9 JET2
4650540	ER20 SEAL 9-10 JET2
4650541	ER20 SEAL 10-11 JET2
4650542	ER20 SEAL 11-12 JET2
4650543	ER20 SEAL 12-13 JET2
4650544	ER25 SEAL 3- 4 JET2
4650545	ER25 SEAL 4- 5 JET2
4650546	ER25 SEAL 5- 6 JET2
4650547	ER25 SEAL 6- 7 JET2
4650548	ER25 SEAL 7- 8 JET2
4650549	ER25 SEAL 8- 9 JET2
4650550	ER25 SEAL 9-10 JET2
4650551	ER25 SEAL 10-11 JET2
4650552	ER25 SEAL 11-12 JET2
4650553	ER25 SEAL 12-13 JET2
4650554	ER25 SEAL 13-14 JET2
4650555	ER25 SEAL 14-15 JET2
4650556	ER25 SEAL 15-16 JET2
4650557	ER32 SEAL 3- 4 JET2
4650558	ER32 SEAL 4- 5 JET2
4650559	ER32 SEAL 5- 6 JET2
4650560	ER32 SEAL 6- 7 JET2
4650561	ER32 SEAL 7- 8 JET2



Phase in	
Item No.	Designation
6234181	ER16 SEAL 4 AA JET
6234182	ER16 SEAL 5 AA JET
6234183	ER16 SEAL 6 AA JET
6234184	ER16 SEAL 7 AA JET
6234185	ER16 SEAL 8 AA JET
6234186	ER16 SEAL 9 AA JET
6234187	ER16 SEAL 10 AA JET
6234188	ER20 SEAL 4 AA JET
6234189	ER20 SEAL 5 AA JET
6234190	ER20 SEAL 6 AA JET
6234191	ER20 SEAL 7 AA JET
6234192	ER20 SEAL 8 AA JET
6234193	ER20 SEAL 9 AA JET
6234194	ER20 SEAL 10 AA JET
6234195	ER20 SEAL 11 AA JET
6234196	ER20 SEAL 12 AA JET
6234197	ER25 SEAL 4 AA JET
6234198	ER25 SEAL 5 AA JET
6234199	ER25 SEAL 6 AA JET
6234200	ER25 SEAL 7 AA JET
6234201	ER25 SEAL 8 AA JET
6234202	ER25 SEAL 9 AA JET
6234203	ER25 SEAL 10 AA JET
6234204	ER25 SEAL 11 AA JET
6234205	ER25 SEAL 12 AA JET
6234206	ER25 SEAL 13 AA JET
6234207	ER25 SEAL 14 AA JET
6234208	ER25 SEAL 15 AA JET
6234209	ER25 SEAL 16 AA JET
6234210	ER32 SEAL 4 AA JET
6234211	ER32 SEAL 5 AA JET
6234212	ER32 SEAL 6 AA JET
6234213	ER32 SEAL 7 AA JET
6234214	ER32 SEAL 8 AA JET

Phase out	
Item No.	Designation
4650562	ER32 SEAL 8-9 JET2
4650563	ER32 SEAL 9-10 JET2
4650564	ER32 SEAL 10-11 JET2
4650565	ER32 SEAL 11-12 JET2
4650566	ER32 SEAL 12-13 JET2
4650567	ER32 SEAL 13-14 JET2
4650568	ER32 SEAL 14-15 JET2
4650569	ER32 SEAL 15-16 JET2
4650570	ER32 SEAL 16-17 JET2
4650571	ER32 SEAL 17-18 JET2
4650572	ER32 SEAL 18-19 JET2
4650573	ER32 SEAL 19-20 JET2
4650574	ER40 SEAL 3-4 JET2
4650575	ER40 SEAL 4-5 JET2
4650576	ER40 SEAL 5-6 JET2
4650577	ER40 SEAL 6-7 JET2
4650578	ER40 SEAL 7-8 JET2
4650579	ER40 SEAL 8-9 JET2
4650580	ER40 SEAL 9-10 JET2
4650581	ER40 SEAL 10-11 JET2
4650582	ER40 SEAL 11-12 JET2
4650583	ER40 SEAL 12-13 JET2
4650584	ER40 SEAL 13-14 JET2
4650585	ER40 SEAL 14-15 JET2
4650586	ER40 SEAL 15-16 JET2
4650587	ER40 SEAL 16-17 JET2
4650588	ER40 SEAL 17-18 JET2
4650589	ER40 SEAL 18-19 JET2
4650590	ER40 SEAL 19-20 JET2
4650591	ER40 SEAL 20-21 JET2
4650592	ER40 SEAL 21-22 JET2
4650593	ER40 SEAL 22-23 JET2
4650594	ER40 SEAL 23-24 JET2
4650595	ER40 SEAL 24-25 JET2
4650596	ER40 SEAL 25-26 JET2



Phase in	
Item No.	Designation
6234215	ER32 SEAL 9 AA JET
6234216	ER32 SEAL 10 AA JET
6234217	ER32 SEAL 11 AA JET
6234218	ER32 SEAL 12 AA JET
6234219	ER32 SEAL 13 AA JET
6234089	ER32 SEAL 14 AA JET
6234220	ER32 SEAL 15 AA JET
6233902	ER32 SEAL 16 AA JET
6234221	ER32 SEAL 17 AA JET
6234222	ER32 SEAL 18 AA JET
6234223	ER32 SEAL 19 AA JET
6234224	ER32 SEAL 20 AA JET
6234225	ER40 SEAL 6 AA JET
6234226	ER40 SEAL 8 AA JET
6234227	ER40 SEAL 10 AA JET
6234228	ER40 SEAL 12 AA JET
6234229	ER40 SEAL 14 AA JET
6234230	ER40 SEAL 16 AA JET
6234231	ER40 SEAL 18 AA JET
6234232	ER40 SEAL 20 AA JET
6234233	ER40 SEAL 22 AA JET
6234173	ER40 SEAL 25 AA JET

ER SEAL AA JET Collet Sets: Phase out - Phase in

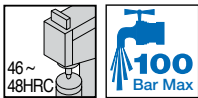
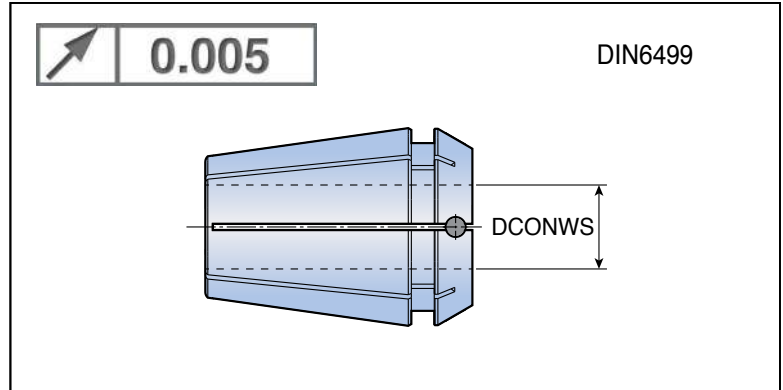
Phase out	
Item No.	Designation
4650615	SET ER16 SEAL 7 JET2
4650616	SET ER20 SEAL 10 JET2
4650617	SET ER25 SEAL 13 JET2
4650618	SET ER32 SEAL 17 JET2
4650619	SET ER40 SEAL 23 JET2
4650630	SET ER16 SEAL 5 EM JET2
4650631	SET ER20 SEAL 5 EM JET2
4650632	SET ER25 SEAL 6 EM JET2
4650633	SET ER32 SEAL 6 EM JET2
4650634	SET ER40 SEAL 7 EM JET2



Phase in	
Item No.	Designation
6234234	SET ER16 SEAL 7 AA JET
6234235	SET ER20 SEAL 9 AA JET
6234236	SET ER25 SEAL 13 AA JET
6234237	SET ER32 SEAL 17 AA JET
6234238	SET ER40 SEAL 10 AA JET

ER-SEAL-AA-JET

ER sealed jet collets – Ultra precision



DCONWS	ER16	ER20	ER25	ER32	ER40
4	ER16 SEAL 4 AA JET	ER20 SEAL 4 AA JET	ER25 SEAL 4 AA JET	ER32 SEAL 4 AA JET	
5	5 AA JET	5 AA JET	5 AA JET	5 AA JET	
6	6 AA JET	6 AA JET	6 AA JET	6 AA JET	ER40 SEAL 6 AA JET
7	7 AA JET	7 AA JET	7 AA JET	7 AA JET	
8	8 AA JET	8 AA JET	8 AA JET	8 AA JET	8 AA JET
9	9 AA JET	9 AA JET	9 AA JET	9 AA JET	
10	10 AA JET	10 AA JET	10 AA JET	10 AA JET	10 AA JET
11		11 AA JET	11 AA JET	11 AA JET	
12		12 AA JET	12 AA JET	12 AA JET	12 AA JET
13			13 AA JET	13 AA JET	
14			14 AA JET	14 AA JET	14 AA JET
15			15 AA JET	15 AA JET	
16			16 AA JET	16 AA JET	16 AA JET
17				17 AA JET	
18				18 AA JET	18 AA JET
19				19 AA JET	
20				20 AA JET	20 AA JET
21					
22					22 AA JET
23					
24					
25					25 AA JET

